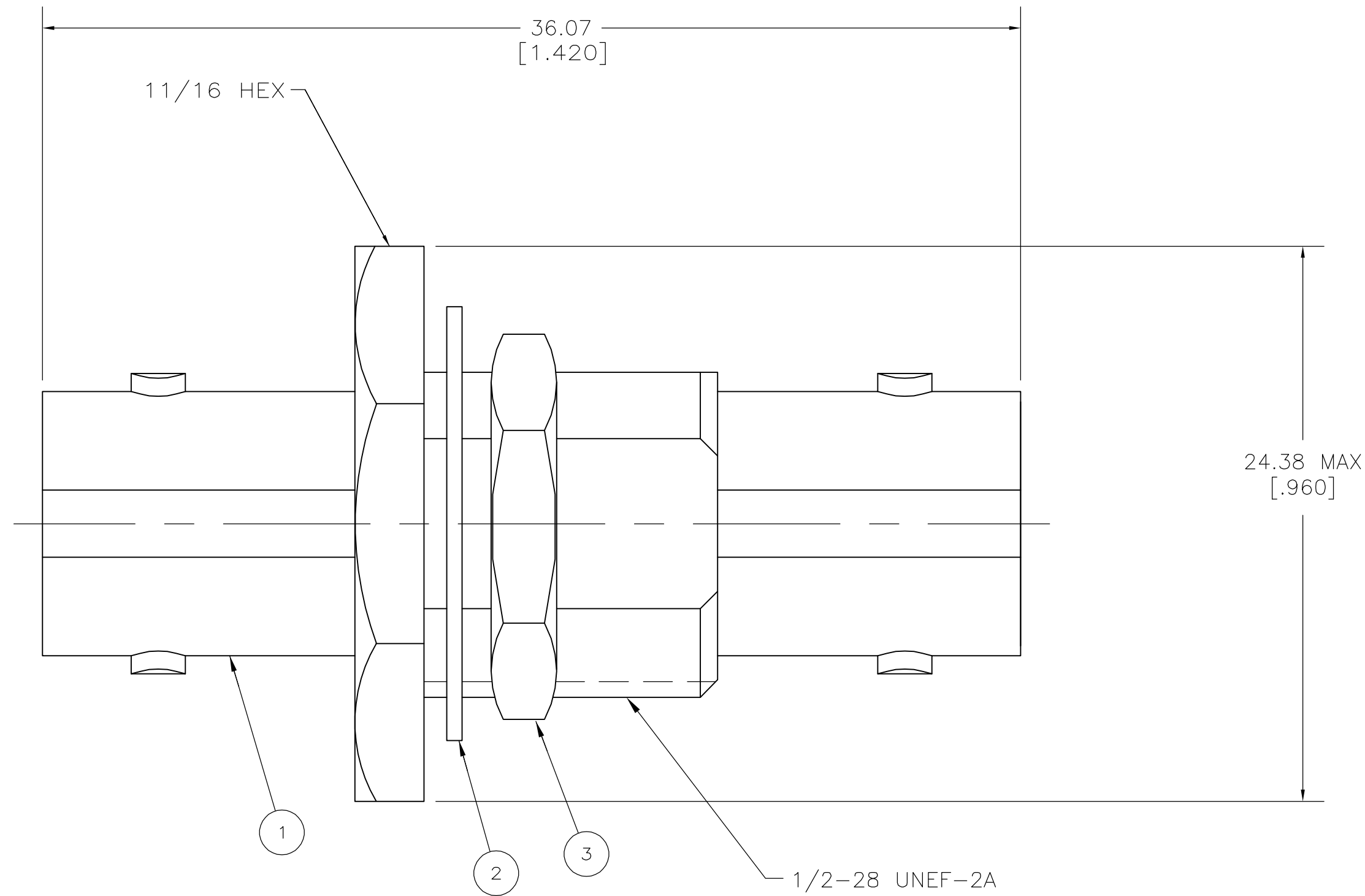
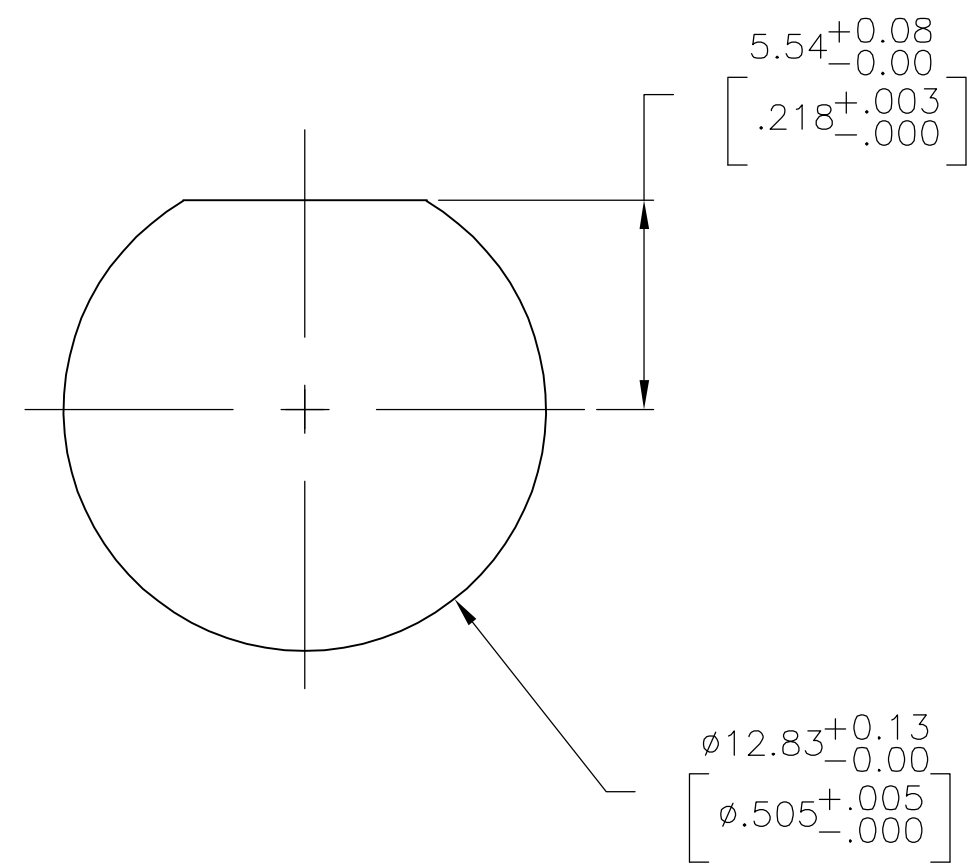


THIS DRAWING IS UNPUBLISHED. RELEASED FOR PUBLICATION  
 © COPYRIGHT BY TYCO ELECTRONICS CORPORATION. ALL RIGHTS RESERVED.

LOC	DIST	REVISIONS			
P	LTR	DESCRIPTION	DATE	DWN	APVD
AJ	16	A	REVISED PER EC 0514-0150-05	22SEP05	BM JL



- PARTS PACKAGED UNASSEMBLED.
- PANEL THICKNESS = 6.35 [.250] MAX.



RECOMMENDED PANEL CUTOUT

1-329631-2	1-329632-2	228255-2	5228226-3
1-329631-2	1-329632-2	9-228255-0	5228226-1
3 JAM NUT QTY=1	2 LOCK WASHER QTY=1	1 JACK ADAPTER ASSEMBLY QTY=1	PART NUMBER

THIS DRAWING IS A CONTROLLED DOCUMENT.		DWN A. FERNANDEZ-DOCK5 18APR2005	Tyco Electronics Corporation Harrisburg, PA 17105-3608	
DIMENSIONS: mm [INCHES]	TOLERANCES UNLESS OTHERWISE SPECIFIED:	CHK J. HAVENER 18APR2005	NAME JACK TO JACK ADAPTER, BULKHEAD MOUNT, BNC	
	0 PLC ± -	APVD J. LIPPERT 18APR2005	SIZE A2	CAGE CODE 00779
	1 PLC ± -	PRODUCT SPEC -	DRAWING NO C=5228226	RESTRICTED TO -
MATERIAL -	FINISH -	APPLICATION SPEC -	SCALE 5:1	SHEET 1 of 1
CUSTOMER DRAWING			REV A	